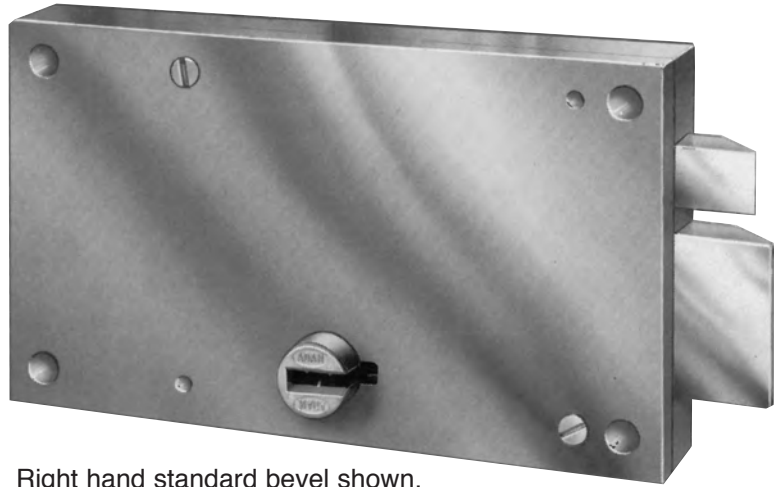


**Key:** Prison Paracentric  
**Door:** Swinging  
**Security Level:** Maximum

# 70 DEADLATCH



Right hand standard bevel shown.



## Description

Series 70 Locks are lever tumbler mechanical locks for swinging doors. Specify keying as follows:

- 72 Keyed cover side
- 76 Keyed both sides

## Applications

Series 70 Deadlatches are recommended for heavily used doors such as those in dayrooms, recreation areas or dining rooms. Convenient slam-locking. Specify handing.

## Standards Compliance

UL10-B listed as Fire Door Accessory, 3-hour rating with strike.

## Standard Features

- **Automatic deadlocking** – Locks when door is closed; unlocks by key.
- **Deadlock actuator** – 3/4" x 3/4" cold drawn steel with zinc plated finish.
- **Durable case** – Ductile iron case with 3/8" steel cover.
- **Corrosion-resistance** – Working parts are corrosion-resistant.
- **Heavy duty lever tumblers** – 5 spring-temper brass tumblers, activated by heavy phosphor-bronze springs. Precision fit to locking fence.

- **Large, solid latchbolt** – Zinc plated steel, 2" x 3/4" with two hardened steel roller pins to resist sawing. Bolt projects 1/2" when retracted.
- **Bolt throw** – 3/4"
- **Bolt projection** – 1/2" and 1-1/4" are standard. Specify one.
- **Investment-cast key cylinder** – One-piece bronze alloy with paracentric keyway.
- **Finish** – Zinc plated.

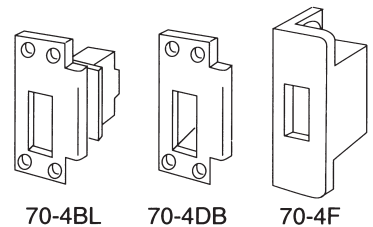
## Optional Features

- **Mounting** – Hollow metal, grille or plate.

## Accessories

(must be specified separately)

- **70-4B** – Mortise strike with mounting screws.
- **70-4BL** – Mortise strike with switch/mounting screws.
- **70-4DB** – Mortise strike with dust box and mounting screws.
- **70-4F** – Surface-mounted keeper and mounting screws.



For more information, please call 210.533.1231.

**Key:** Prison Paracentric  
**Door:** Swinging  
**Security Level:** Maximum

# 70 DEADLATCH

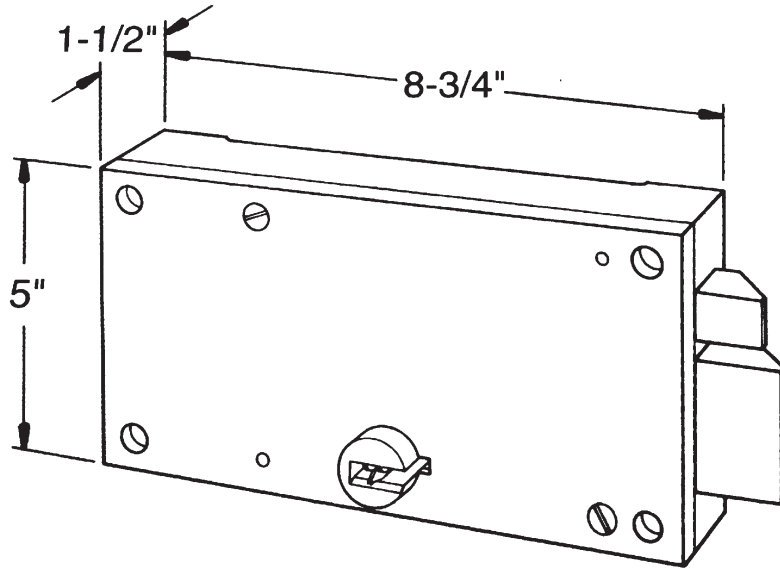
## How to Order

Specify:

- 1) Quantity
- 2) Handing
- 3) Bolt projection.
- 4) Mounting required.
- 5) Key code instructions.
- 6) Accessories required.

## Dimensional Data

Note: Dimensions are for information and planning purposes only, and should not be used as templates.



**Specify circled swing number when ordering.**

MOUNTING PLATE HINGE SIDE

|                  |         |         |
|------------------|---------|---------|
| KEYED BOTH SIDES | 13 RHSB | LHSB 14 |
| KEYED HINGE SIDE | 17 RHSB | LHSB 18 |
| KEYED STOP SIDE  | 21 LHRB | RHRB 22 |

MOUNTING PLATE STOP SIDE

|                  |         |         |
|------------------|---------|---------|
| KEYED BOTH SIDES | 15 LHRB | RHRB 16 |
| KEYED STOP SIDE  | 19 LHRB | RHRB 20 |
| KEYED HINGE SIDE | 23 RHSB | LHSB 24 |

1-1/4" projection required with stop-side mounting.

## LEGEND

